



WP-8141/WP-8441/WP-881

1/4/8-slot Standard PAC with PXA270 CPU and WinCE 5.0

Features

- Windows CE 5.0
- PXA270, 520 MHz CPU
- 128 MB SDRAM and 96 MB Flash
- 512 MB Battery-backup SRAM for data retention
- Hard Real-Time Capability (RTC)
- 64-bit Hardware Serial Number
- Rich I/O Expansion Ability (RS-232/RS-485, FRnet, CAN)
- Redundant Power Input
- Operating Temperature: -25 ~ +75 °C



Introduction

WP-8000 series are the second generation PAC of ICP DAS. It equips PXA270 CPU (520MHz) running a Windows CE .NET 5.0 operating system, variant connectivities (VGA, USB, Ethernet, RS-232/485) and 4 slots for high performance parallel I/O modules (high profile I-8K series) and serial-type I/O modules (high profile I-87K I/O modules).

Its operating system, Windows CE 5.0, has many advantages, including hard real-time capability, small core size, fast boot speed, interrupt handling at a deeper level, achievable deterministic control and low cost. Using Windows CE 5.0 in the WP-8000 gives it the ability to run PC-based Control software such as Visual Basic.NET, Visual C#, Embedded Visual C++, SCADA software, Soft PLC ...etc.

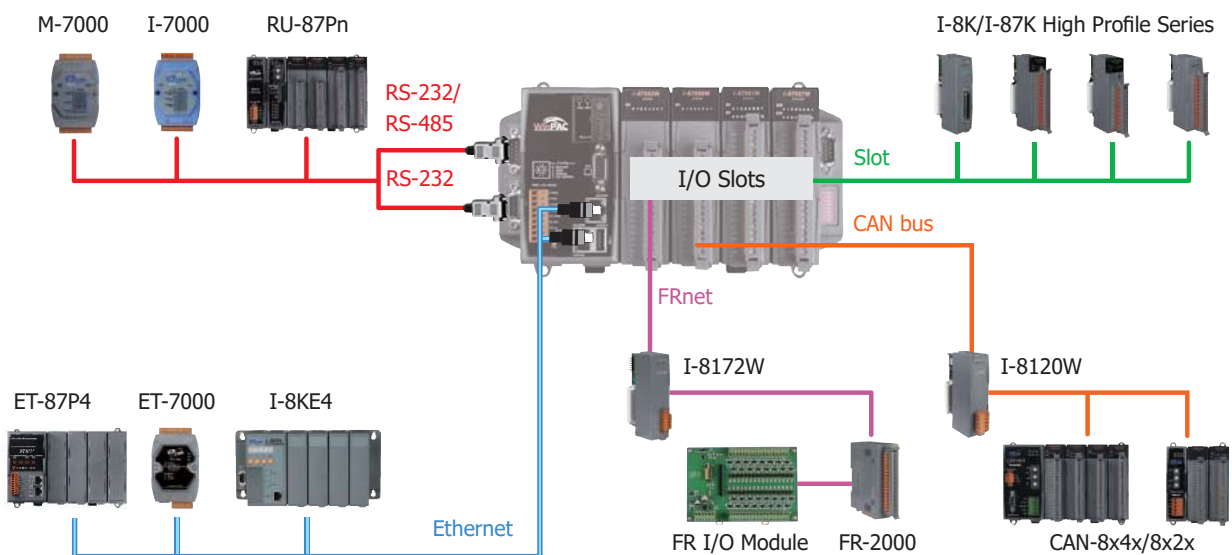
Windows CE 5.0



Windows CE5 is a compact and real-time OS used to quickly create time critical and high performance applications. Using Windows CE 5 gives an ability to run PC-based control software such as Visual Basic .NET, Virtual C#, SCADA software, SoftPLC... etc.

- FTP Server
- Web Server
- SQL Compact Edition 3.5
- .NET Compact Framework 3.5
- Virtual CE Pro (VCEP)

Applications

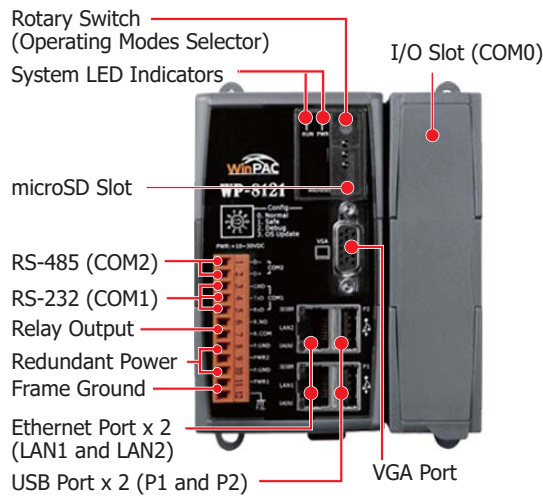


Specifications

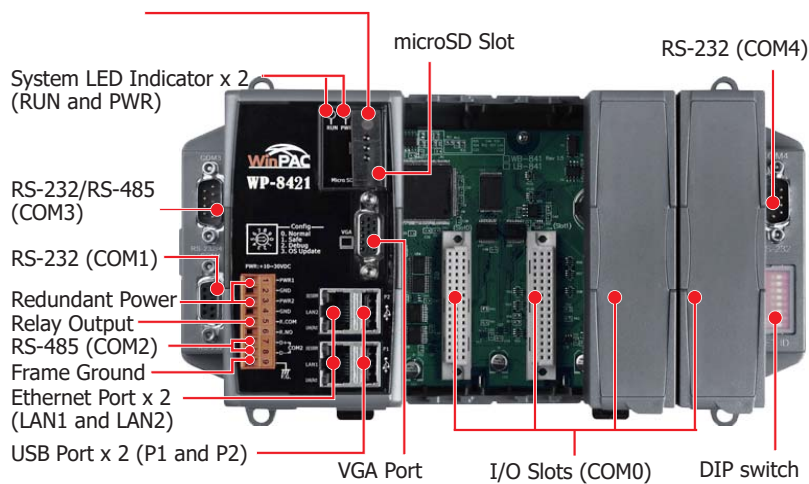
Model	WP-8141	WP-8441	WP-8841
Software			
OS	Windows CE 5.0		
Framework Support	.Net Compact Framework 3.5		
Service	FTP server, Web server (supports VB script, JAVA script), Embedded SQL server		
SDK	DII for eVC, DII for Visual Studio.Net 2003/2005/2008		
Multilanguage Support	English, German, French, Spanish, Russian, Italian, Korean, Simplified Chinese, Traditional Chinese		
Main Unit			
CPU	PXA270 or compatible, 32-bit, 520 MHz		
SDRAM	128 MB		
Dual Battery Backup SRAM	512 KB		
Flash	96 MB		
EEPROM	16 KB		
Storage	4 GB microSD card (up to 32 GB)		
RTC (Real Time Clock)	Provide seconds, minutes, hours, dates, day of week, month, year		
64-bit Hardware Serial Number	Yes, for software copy protection		
Watchdog Timer	Dual Watchdog Timer		
Buzzer	Yes		
Display			
VGA Resolution	640 × 480, 800 × 600		
LED Indicators	1 x Power, 1 x Programmable		
Communication Ports			
Ethernet	2 x RJ-45, 10/100 Base-TX (Auto-negotiating, Auto MDI/MDI-X, LED indicators)		
USB 1.1 (host)	1		
COM 0	Internal communication with the high profile I-87K series modules in slots		
COM 1	RS-232 (Rx/D, Tx/D and GND); Non-isolation		
COM 2	RS-485 (Data+, Data-);self-tuner ASIC inside; 3000 VDC isolated		
COM 3	-	RS-232/485 (Rx/D, Tx/D, CTS, RTS and GND for RS-232; Data+, Data- for RS-485); Non-isolation	
COM 4	-	RS-232 (RX/D, TX/D, CTS, RTS, DSR, DTR, CD, RI and GND); Non-isolation	
I/O Expansion			
I/O Type	I-8K, I-87K series		
Slots	1	4	8
Mechanical			
Dimension (W x L x H)	95 mm x 132 mm x 111 mm	231 mm x 132 mm x 111 mm	355 mm x 132 mm x 111 mm
Ingress Protection Rating	IP30 (Aluminum)		
Installation	DIN-Rail, Wall mounting		
Environmental			
Operating Temperature	-25 ~ +75 °C		
Storage Temperature	-30 ~ +80 °C		
Humidity	10 ~ 90 % RH, Non-condensing		
Power			
Input Range	+10 ~ 30 VDC (1 kV Isolated)		
Redundant Power Inputs	Yes, with one power relay (1 A @ 24 VDC) for alarm		
Consumption	7.3 W (0.3 A @ 24 VDC)	9.1 W (0.38 A @ 24 VDC)	9.6 W (0.4 A @ 24 VDC)

Appearance

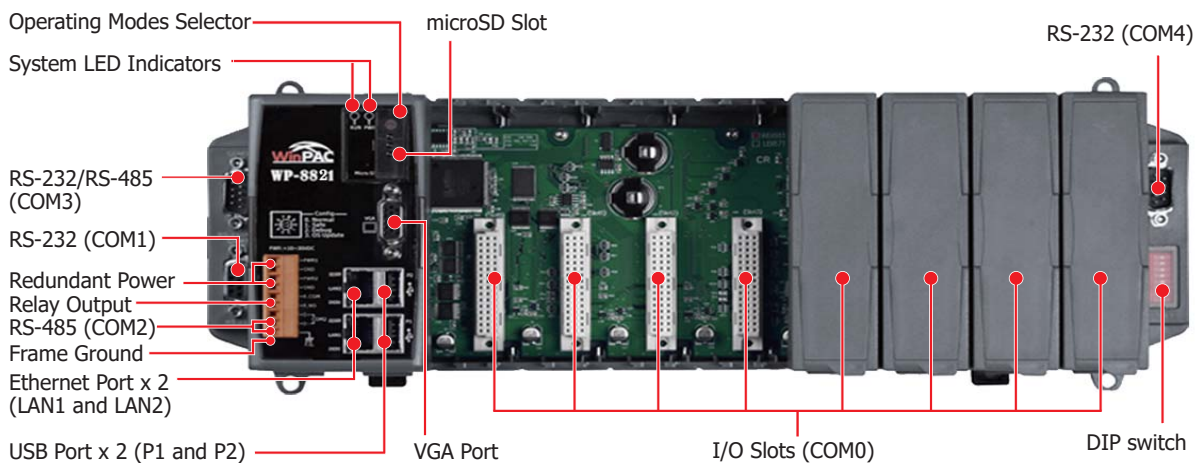
WP-8141



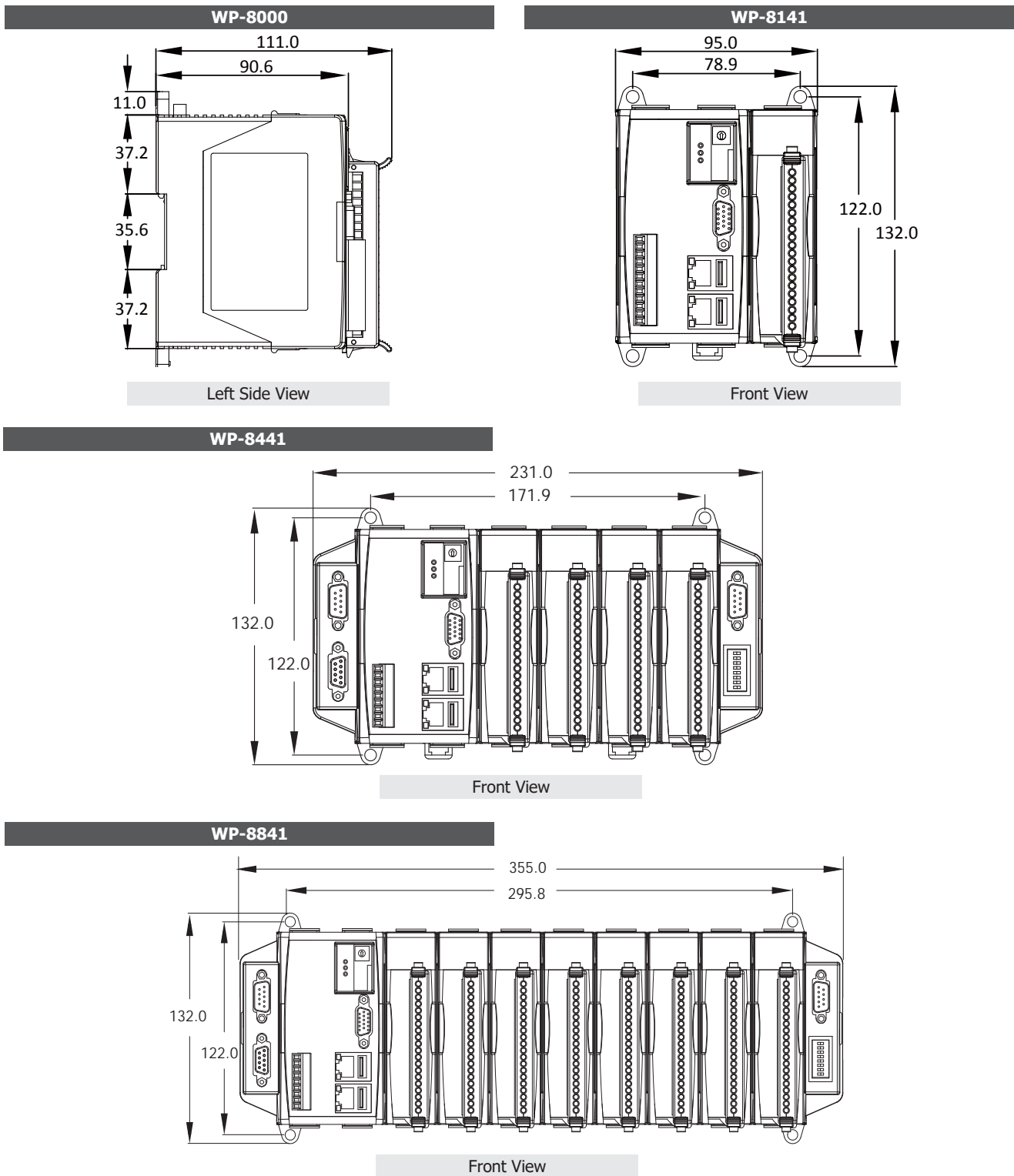
WP-8441



WP-8841



■ Dimensions (Units: mm)



■ Ordering Information

WP-8141-EN CR	1-slot Standard PAC with PXA270 CPU and WinCE 5.0 OS (RoHS) (Multilanguage Version)
WP-8141-TC CR	1-slot Standard PAC with PXA270 CPU and WinCE 5.0 OS (RoHS) (Traditional Chinese Version)
WP-8141-SC CR	1-slot Standard PAC with PXA270 CPU and WinCE 5.0 OS (RoHS) (Simplified Chinese Version)
WP-8441-EN CR	4-slot Standard PAC with PXA270 CPU and WinCE 5.0 OS (RoHS) (Multilanguage Version)
WP-8441-TC CR	4-slot Standard PAC with PXA270 CPU and WinCE 5.0 OS (RoHS) (Traditional Chinese Version)
WP-8441-SC CR	4-slot Standard PAC with PXA270 CPU and WinCE 5.0 OS (RoHS) (Simplified Chinese Version)
WP-8841-EN CR	8-slot Standard PAC with PXA270 CPU and WinCE 5.0 OS (RoHS) (Multilanguage Version)
WP-8841-TC CR	8-slot Standard PAC with PXA270 CPU and WinCE 5.0 OS (RoHS) (Traditional Chinese Version)
WP-8841-SC CR	8-slot Standard PAC with PXA270 CPU and WinCE 5.0 OS (RoHS) (Simplified Chinese Version)